

REF01

+10V Precision VOLTAGE REFERENCE

FEATURES

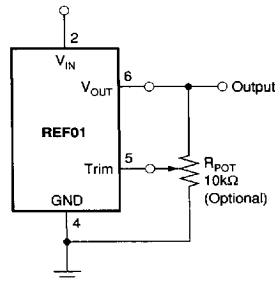
- **OUTPUT VOLTAGE:** +10V $\pm 0.2\%$ max
- **EXCELLENT TEMPERATURE STABILITY:**
8.5ppm/ $^{\circ}$ C max (-40 $^{\circ}$ C to +85 $^{\circ}$ C)
10.0 ppm/ $^{\circ}$ C max (-55 $^{\circ}$ C to +125 $^{\circ}$ C)
- **LOW NOISE:** 5 μ Vp-p typ (0.1Hz to 10Hz)
- **EXCELLENT LINE REGULATION:**
0.001%/V max
- **EXCELLENT LOAD REGULATION:**
0.002%/mA max
- **SOURCES 10mA, SINKS 5mA min**
- **LOW SUPPLY CURRENT:** 1.4mA max
- **SHORT-CIRCUIT PROTECTED**
- **WIDE SUPPLY RANGE:** 11.4VDC to 40VDC
- **PACKAGE OPTIONS:** Hermetic TO-99, Ceramic DIP, Plastic DIP, SOIC
- **EXTENDED INDUSTRIAL TEMPERATURE RANGE:** -40 $^{\circ}$ C to +85 $^{\circ}$ C

APPLICATIONS

- **PRECISION REGULATORS**
- **CONSTANT CURRENT SOURCE/SINK**
- **DIGITAL VOLTMETERS**
- **A/D AND D/A CONVERTERS**
- **PRECISION CALIBRATION STANDARD**
- **TEST EQUIPMENT**

DESCRIPTION

The REF01 is a high performance, low price, precision pin compatible second source voltage reference. Output accuracy of $\pm 0.2\%$ is a 30% improvement over industry standard REF01s. Output noise is 5 μ Vp-p, which is a 75% decrease in noise over all other REF01s. Line regulation is 0.001%/V max and load regulation is 0.002%/mA max, which far exceeds the performance of our competitors. Quiescent current is a low 1.4mA. REF01 provides extended supply range when compared to industry standard devices. Burr-Brown's REF01 is the best choice for applications which requires improved accuracy, low noise, low power consumption, low drift, and the lowest price. Popular package options are available: TO-99, Ceramic DIP, plastic DIP, and SOIC. For guaranteed long-term drift see Burr-Brown's model REF10.



+10V Reference with Trimmed Output

International Airport Industrial Park • Mailing Address: PO Box 11400 • Tucson, AZ 85734 • Street Address: 6730 S. Tucson Blvd. • Tucson, AZ 85706
Tel: (602) 746-1111 • Twx: 910-952-1111 • Cable: BBRCORP • Telex: 066-6491 • FAX: (602) 888-1510 • Immediate Product Info: (800) 548-6132



PDS-1171B

1731365 0028697 874

For Immediate Assistance, Contact Your Local Salesperson

SPECIFICATIONS

ELECTRICAL

T_A = +25°C and V_S = +15V power supply unless otherwise noted.

PARAMETER	CONDITIONS	REF01A, R			REF01B, S			REF01C			UNITS
		MIN	TYP	MAX	MIN	TYP	MAX	MIN	TYP	MAX	
OUTPUT VOLTAGE (ΔV _{OT}) Change with Temperature ^(1,2) -40°C to +85°C -55°C to +125°C	I _L = 0mA	9.970	10.0	10.030	9.975	10.0	10.025	9.980	10.0	10.020	V
			0.11 0.13	0.18 0.22		0.06 0.07	0.11 0.12		0.04	0.07	%
OUTPUT VOLTAGE DRIFT ⁽³⁾ -40°C to +85°C (TCV _O) -55°C to +125°C			10 10	25 20		8 8	15 10		3	8.5	±ppm/°C ±ppm/°C
OUTPUT ADJUSTMENT RANGE	R _{POT} = 10kΩ ⁽⁶⁾	±3			±3			±3			%
CHANGE IN V _O TEMP COEFFICIENT WITH OUTPUT ADJUSTMENT (-55°C to +125°C)	R _{POT} = 10kΩ		0.5			0.5			0.5		ppm/%
OUTPUT VOLTAGE NOISE	0.1Hz to 10Hz ⁽⁵⁾		5			5			5		μVp-p
LINE REGULATION ⁽⁴⁾ -40°C to +85°C -55°C to +125°C	V _{IN} = 11.4V to 36V		0.001	0.003		0.0007	0.002		0.0003	0.001	%V
			0.002	0.006		0.001	0.004		0.001	0.002	
			0.004	0.012		0.003	0.008				
LOAD REGULATION ⁽⁴⁾ -40°C to +85°C -55°C to +125°C	I _L = 0mA to +10mA I _L = 0mA to -5mA I _L = 0mA to +10mA I _L = 0mA to +10mA		0.001	0.004		0.001	0.003		0.001	0.002	%/mA
			0.003	0.008		0.002	0.006		0.001	0.004	
			0.005	0.016		0.004	0.012		0.003	0.008	
			0.008	0.024		0.006	0.018				
TURN-ON SETTLING TIME	To ±0.1% of Final Value		5			5			5		μs
QUIESCENT CURRENT	No Load		1.2	1.4		1.2	1.4		1.2	1.4	mA
LOAD CURRENT		10	21		10	21		10	21		mA
SINK CURRENT		-5	-10		*	*		*	*		mA
SHORT-CIRCUIT CURRENT	V _O = 0		30			30			30		mA
POWER DISSIPATION			18			18			18		mW
TEMPERATURE RANGE Specification REF01A, B, C REF01R, S		-40 -55		+85 +125	*	*	*	*	*	*	°C °C

NOTES: (1) ΔV_{OT} is defined as the absolute difference between the maximum output and the minimum output voltage over the specified temperature range expressed as a percentage of 10V: $\Delta V_{OT} = \frac{|V_{MAX} - V_{MIN}|}{10V} \times 100\%$ (2) ΔV_{OT} specification applies trimmed to +10.000V or untrimmed. (3) TCV_O is defined as ΔV_{OT} divided

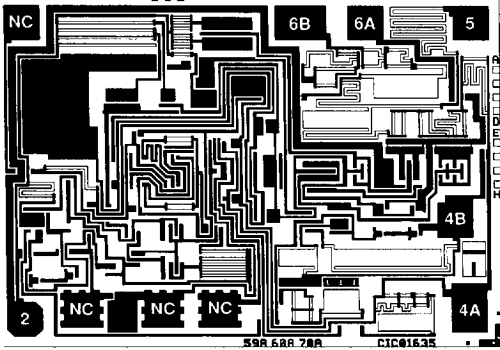
by the temperature range. (4) Line and load regulation specifications include the effect of self heating. (5) Sample tested. (6) 10kΩ potentiometer connected between V_O and ground with wiper connected to trim pin. See Figure 3.

ORDERING INFORMATION

MODEL	V _{OUT} AT 25°C	MAX DRIFT (ppm/°C)	TEMPERATURE	PACKAGE
REF01AG	10V±30mV	±25	-40°C to +85°C	8-Pin Ceramic DIP
REF01AU	10V±30mV	±25	-40°C to +85°C	8-Pin SOIC
REF01BU	10V±25mV	±15	-40°C to +85°C	8-Pin SOIC
REF01AP	10V±30mV	±25	-40°C to +85°C	8-Pin Plastic DIP
REF01BG	10V±25mV	±15	-40°C to +85°C	8-Pin Ceramic DIP
REF01BP	10V±25mV	±15	-40°C to +85°C	8-Pin Plastic DIP
REF01AM	10V±30mV	±25	-40°C to +85°C	Metal TO-99
REF01BM	10V±25mV	±15	-40°C to +85°C	Metal TO-99
REF01CM	10V±20mV	±8.5	-40°C to +85°C	Metal TO-99
REF01RM	10V±30mV	±20	-55°C to +125°C	Metal TO-99
REF01SM	10V±25mV	±10	-55°C to +125°C	Metal TO-99

Or, Call Customer Service at 1-800-548-6132 (USA Only)

DICE INFORMATION



REF01 DIE TOPOGRAPHY

PAD	FUNCTION	PAD	FUNCTION
2	V _{IN}	4B	GND
3A	NC	5	Trim
3B	NC	6A	V _{OUT}
3C	NC	6B	V _{OUT} (Sense)
4A	GND		

Substrate Bias: Common, pad 4B.

NOTE: Both common pads must be connected and both V_{OUT} pads must be tied together.

MECHANICAL INFORMATION

	MILS (0.001")	MILLIMETERS
Die Size	55 x 75	1.40 x 1.91 ±13
Die Thickness	20 ±3	0.51 ±0.08
Min. Pad Size	5 x 5	0.10 x 0.10
Backing		Gold

REF01

8

REFERENCES AND REGULATORS

The information provided herein is believed to be reliable; however, BURR-BROWN assumes no responsibility for inaccuracies or omissions. BURR-BROWN assumes no responsibility for the use of this information, and all use of such information shall be entirely at the user's own risk. Prices and specifications are subject to change without notice. No patent rights or licenses to any of the circuits described herein are implied or granted to any third party. BURR-BROWN does not authorize or warrant any BURR-BROWN product for use in life support devices and/or systems.



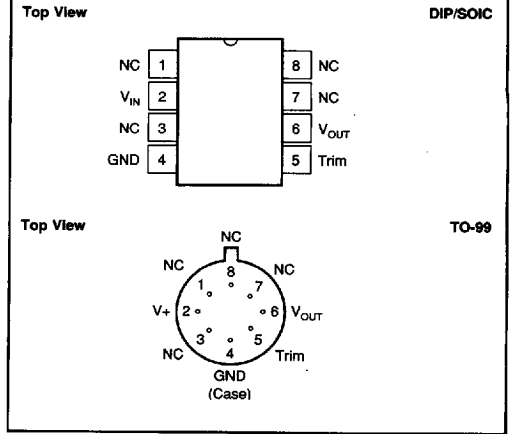
1731365 0028699 647
Burr-Brown IC Data Book—Linear Products

For Immediate Assistance, Contact Your Local Salesperson

ABSOLUTE MAXIMUM RATINGS⁽¹⁾

Input Voltage	+40V
Operating Temperature	
G, P, U	-40°C to +85°C
M	-55°C to +125°C
Storage Temperature Range	
G, P, U	-65°C to +125°
M	-65°C to +150°
Output Short Circuit Duration (to Ground or V_{IN})	Indefinite
Junction Temperature	-65°C to +150°
θ_{JA} P,G	120°C/W
U	80°C/W
M	150°C/W
Lead Temperature (soldering, 60s)	+300°C

PIN CONFIGURATIONS



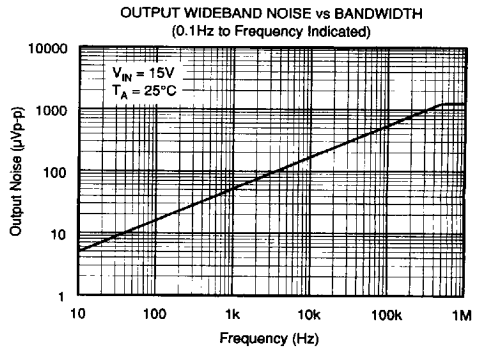
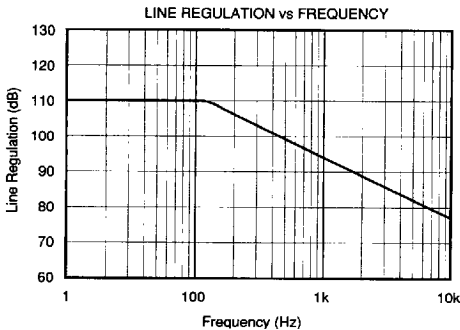
PACKAGE INFORMATION⁽¹⁾

MODEL	PACKAGE	PACKAGE DRAWING NUMBER
REF01AG	8-Pin Ceramic DIP	161
REF01AU	8-Pin SOIC	182
REF01BU	8-Pin SOIC	182
REF01AP	8-Pin Plastic DIP	006
REF01BG	8-Pin Ceramic DIP	161
REF01BP	8-Pin Plastic DIP	006
REF01AM	Metal TO-99	001
REF01BM	Metal TO-99	001
REF01CM	Metal TO-99	001
REF01RM	Metal TO-99	001
REF01SM	Metal TO-99	001

NOTE: (1) For detailed drawing and dimension table, please see end of data sheet, or Appendix D of Burr-Brown IC Data Book.

TYPICAL PERFORMANCE CURVES

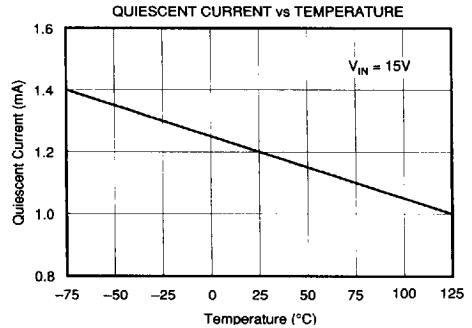
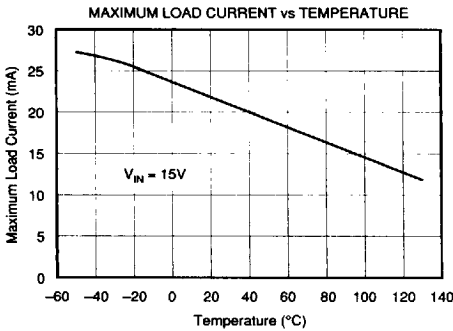
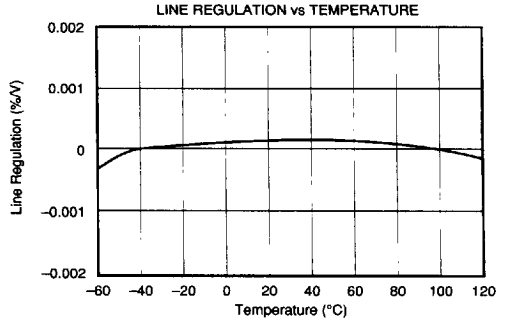
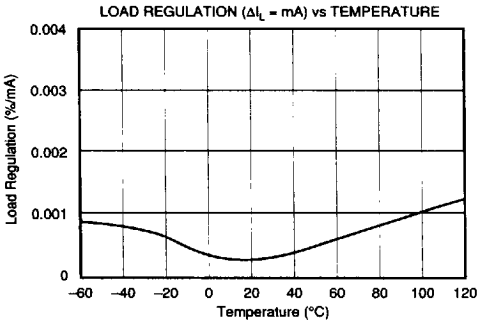
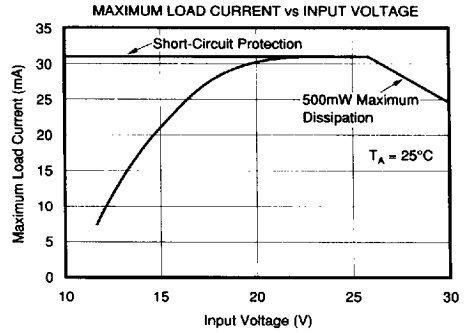
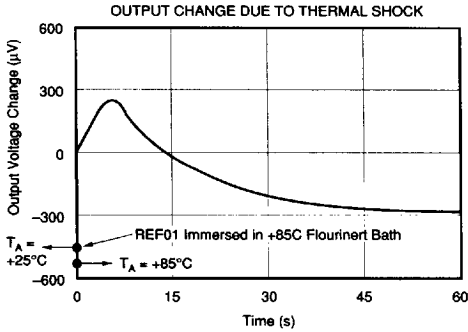
$T_A = +25^\circ\text{C}$ and $V_S = +15\text{V}$ power supply unless otherwise noted.



Or, Call Customer Service at 1-800-548-6132 (USA Only)

TYPICAL PERFORMANCE CURVES (CONT)

$T_A = +25^\circ\text{C}$ and $V_S = +15\text{V}$ power supply unless otherwise noted.



REF01

8

REFERENCES AND REGULATORS

1731365 0028701 025



Burr-Brown IC Data Book—Linear Products

8.7

OUTPUT ADJUSTMENT

The REF01 trim terminal can be used to adjust the voltage over a 10V ±300mV range. This feature allows the system designer to trim system errors by setting the reference to a voltage other than 10V, including 10.240V for binary applications (see circuit on the first page).

Adjustment of the output does not significantly affect the temperature performance of the device. The temperature coefficient change is approximately 0.5ppm/°C for 100mV of output adjustment.

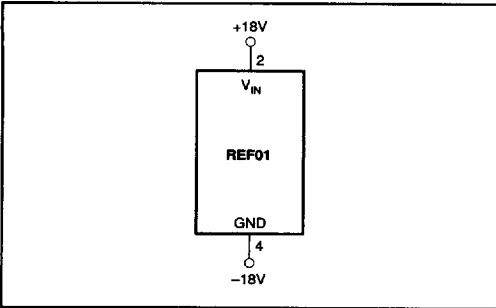


FIGURE 1. Burn-In Circuit.

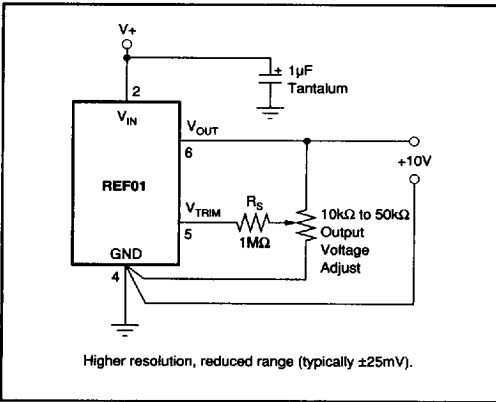


FIGURE 2. High Resolution Output Adjustment.

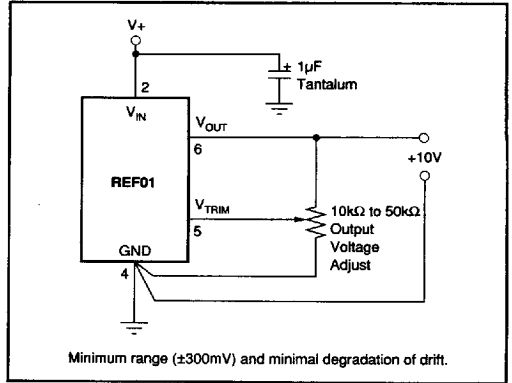


FIGURE 3. Optional Output Voltage Adjustment.

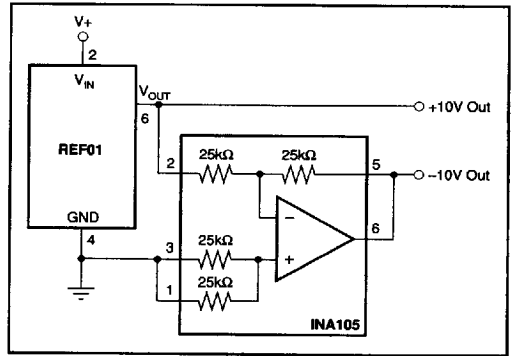


FIGURE 4. ±10V Reference.

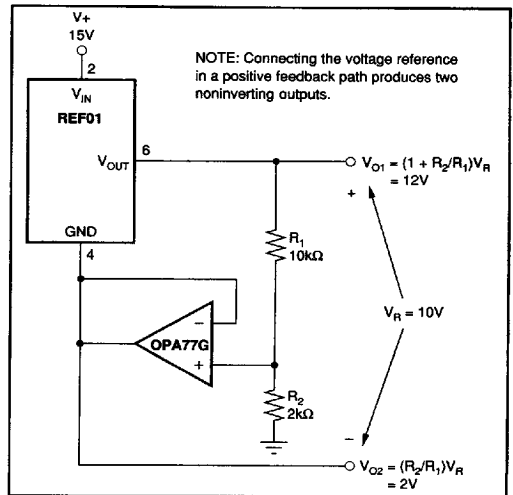


FIGURE 5. +2V and +12V Reference.

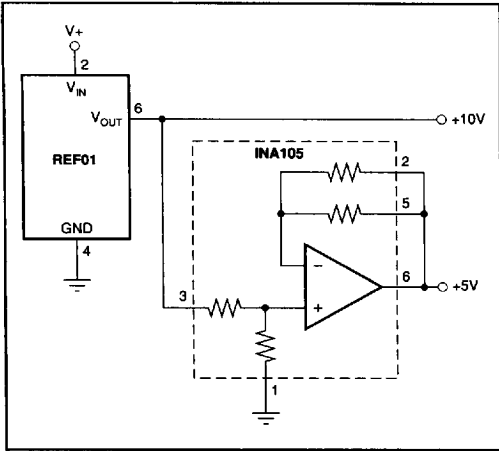


FIGURE 6. +5V and +10V Reference.

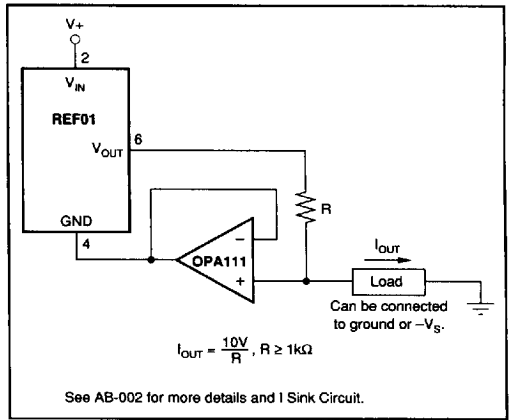


FIGURE 8. Precision Current Source.

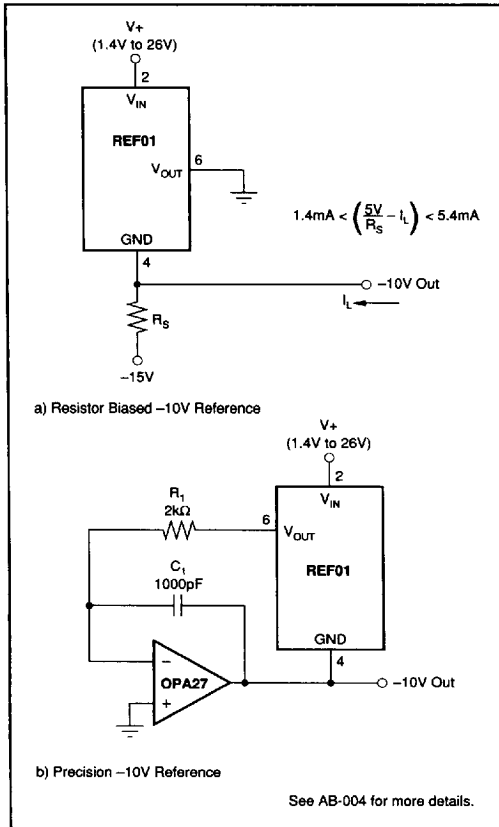


FIGURE 7. -10V Reference Using a) Resistor or b) OPA27.

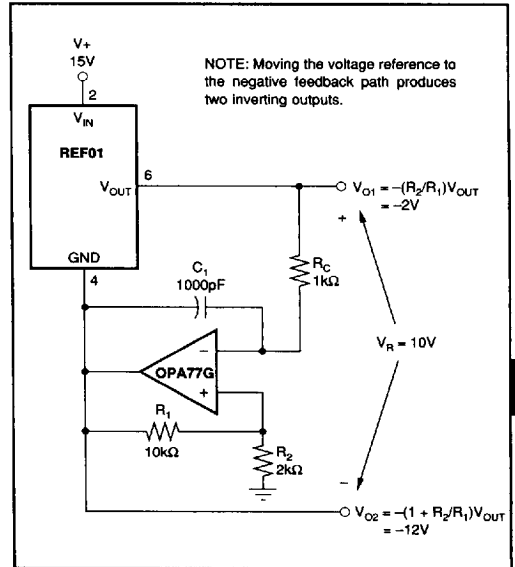


FIGURE 9. -2V and -12V Reference.

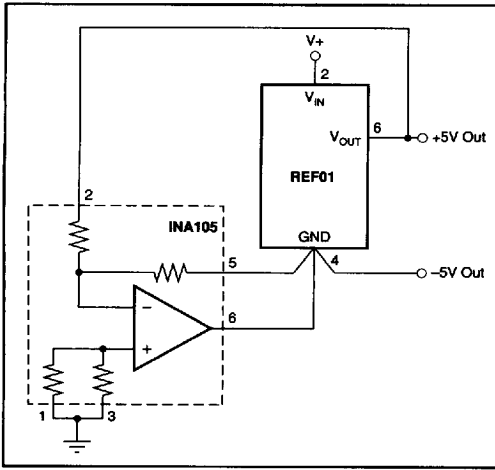


FIGURE 10. ±5V Reference.

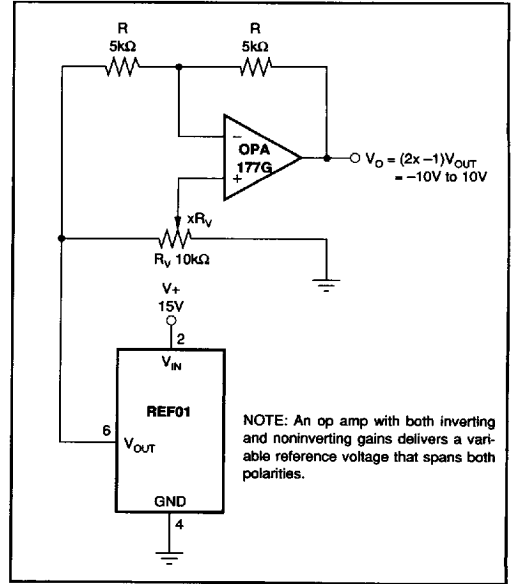


FIGURE 12. Bipolar-Output Adjustable Reference.

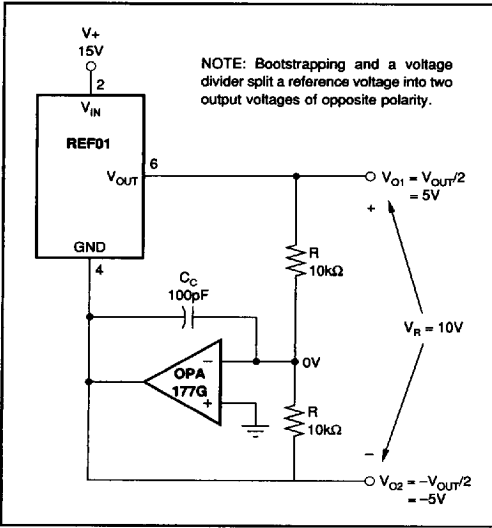


FIGURE 11. ±5V Reference.

1731365 0028704 834